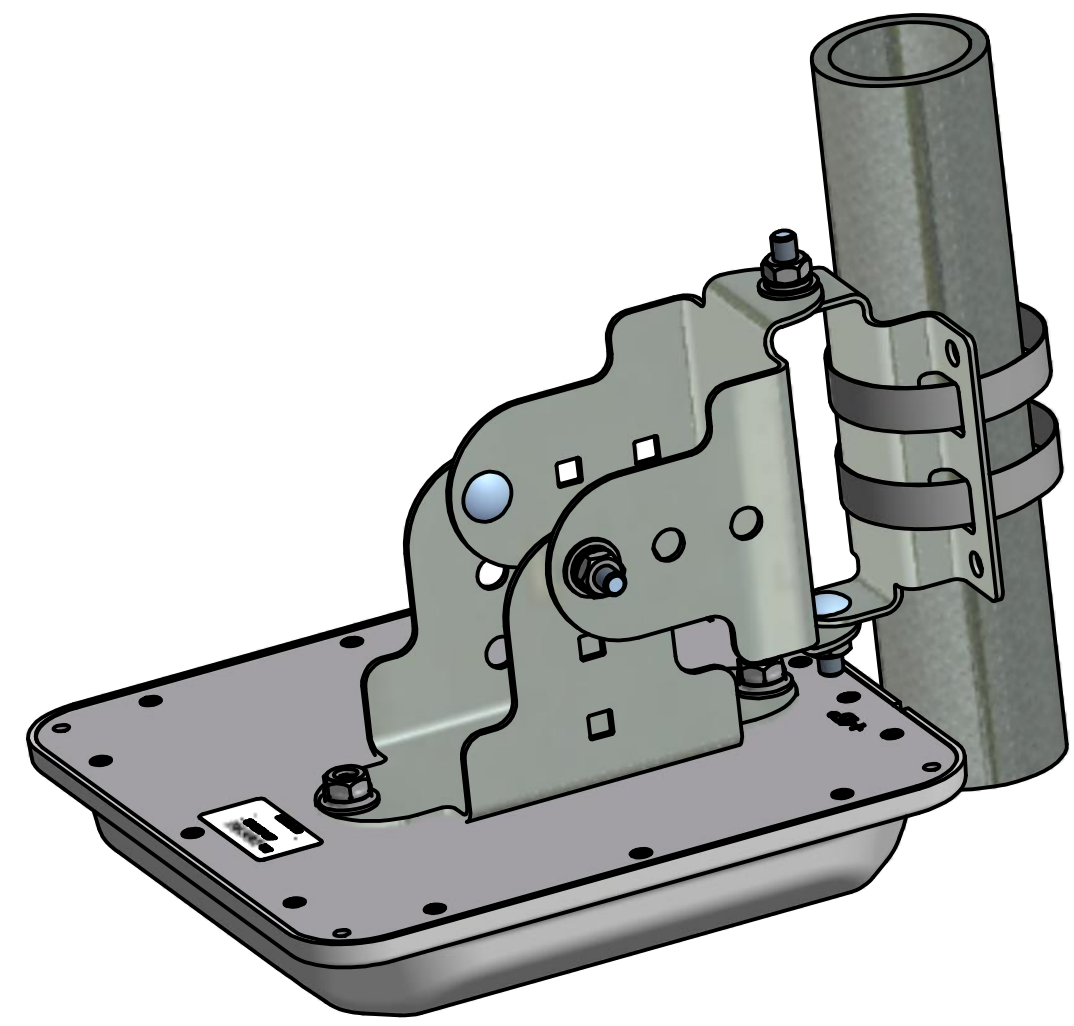


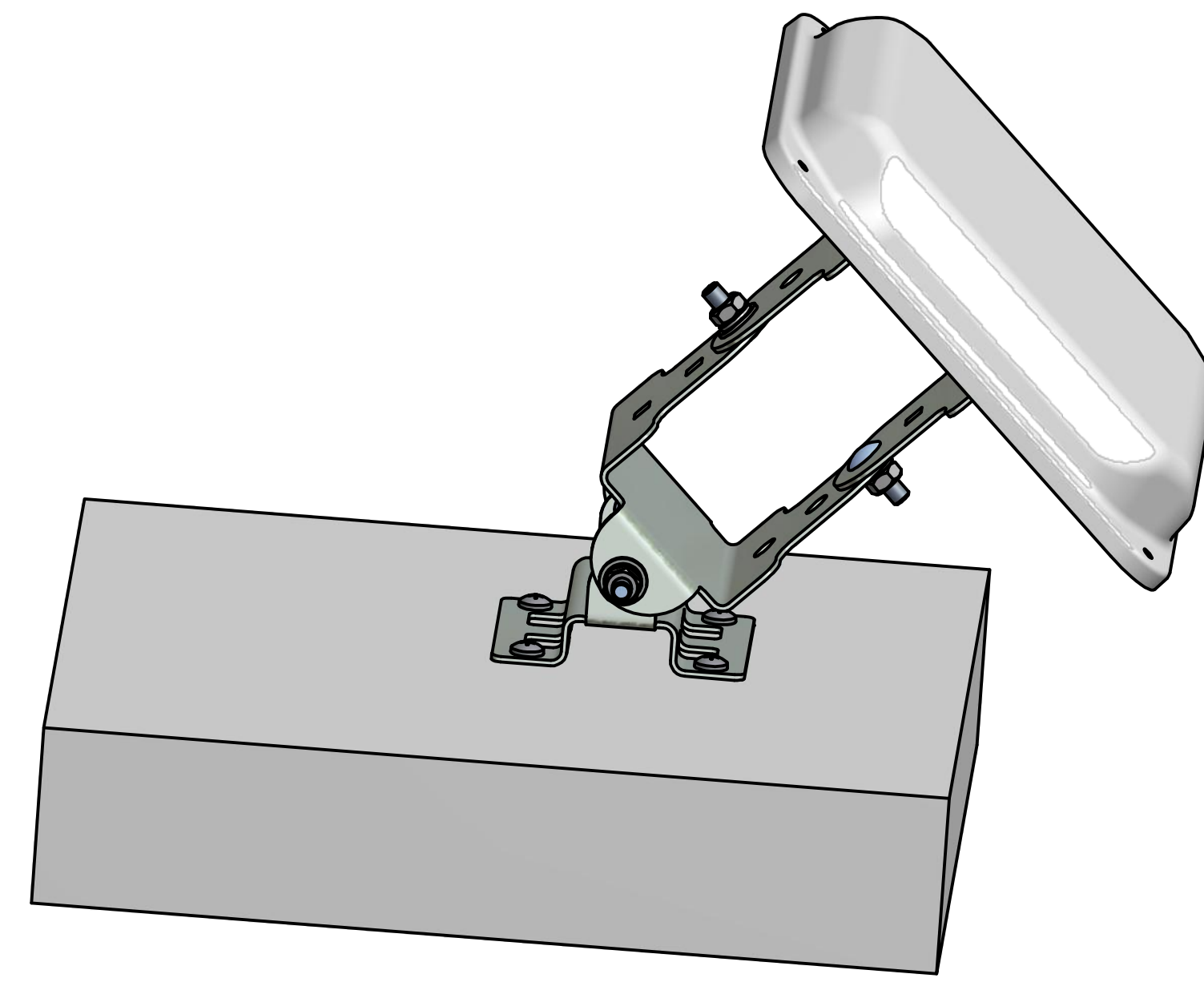
Mounting instructions - Azimuth and Elevation Adjustable Mount AP-ANT-MNT-3 REV-A

IMPORTANT NOTICE:

The antenna should be handled with care.
Do not stand on or drop antenna.



POLE MOUNTING



WALL MOUNTING

Note:

ANTENNA SOLD SEPARATELY.
Mount can be wall and pipe mounted. Hardware included.

Mount kit contents:

- (A) 1 - Antenna mount bracket
- (B) 1 - Elevation adjustable bracket
- (C) 1 - Azimuth adjustable bracket
- (D) 4 - 1/4" - 20x3/4 carriage bolt
- (E) 4 - 1/4" - 20 hex nut
- (F) 6 - 1/4" -20 spring lock washer
- (G) 6 - 1/4" -20 flat washer
- (H) 2 - pipe clamps
- (I) 2 - 1/4" - 20 cross recessed screw
- (J) 4 - S8 plastic inserts
- (K) 4 - ST5.5 Tapping screw

Tools:

[Required for attaching mount to antenna and securing to pole.]
7/16" wrench
8 mm nut driver or flat head screwdriver for hose clamps, Cross head screw driver, Electronic drill

Pipe Clamp Recommended Torque:

43-51 in-lbf (4.9-5.8 N-m)

Wall Mounting recommended Torque:

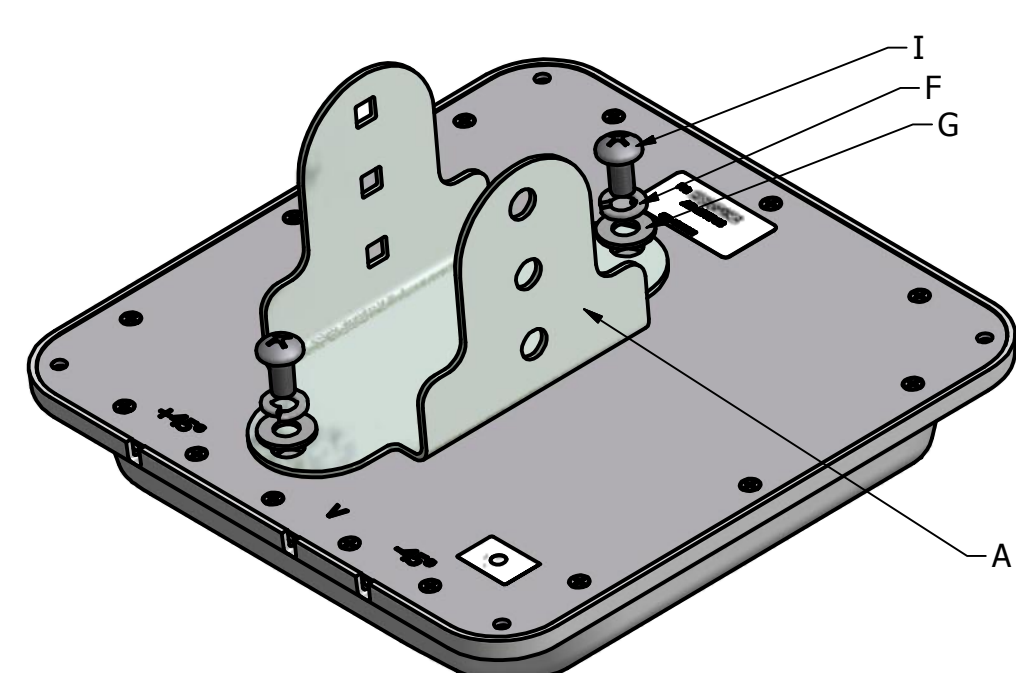
44-53 in-lbf (5.0-6.0 N-m)

Step 1.

Remove antenna and mount kit from packaging.

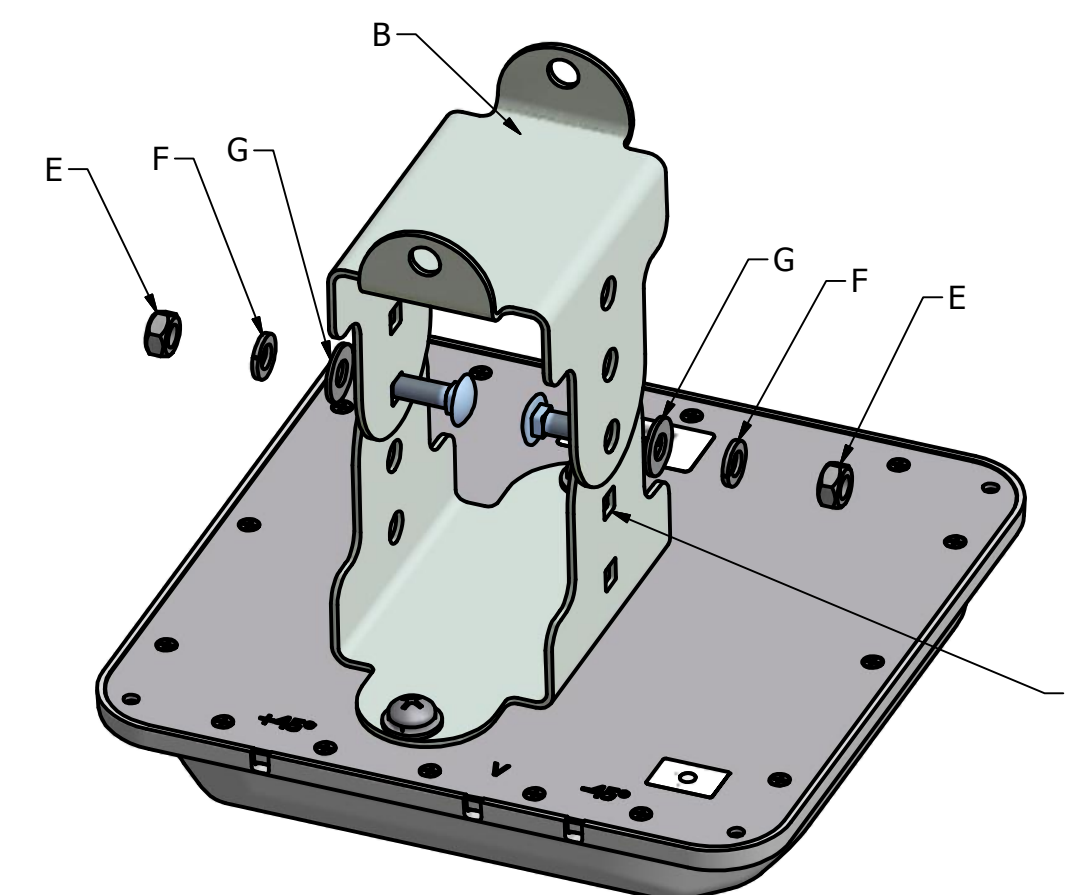
Step 2.

Attach antenna mount bracket (A) to the back of the antenna as shown applying a maximum nut-tightening torque of 55 in-lbf (6.2 Nm)



Step 3.

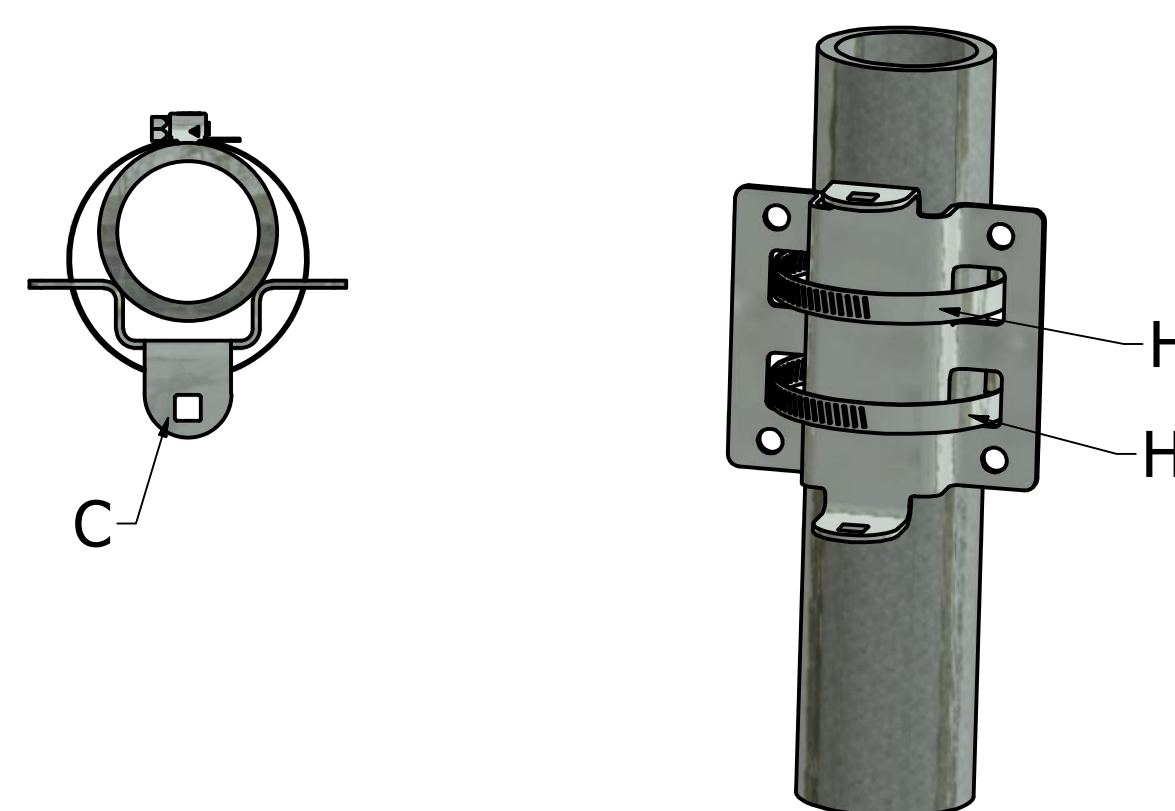
Attach elevation adjustable bracket (B) as shown and loosely secure hardware. The carriage bolt square holes must be on the inside.



For pole mounting option, Fits Pole sizes: 1.63" to 2.3 " pipe O.D.

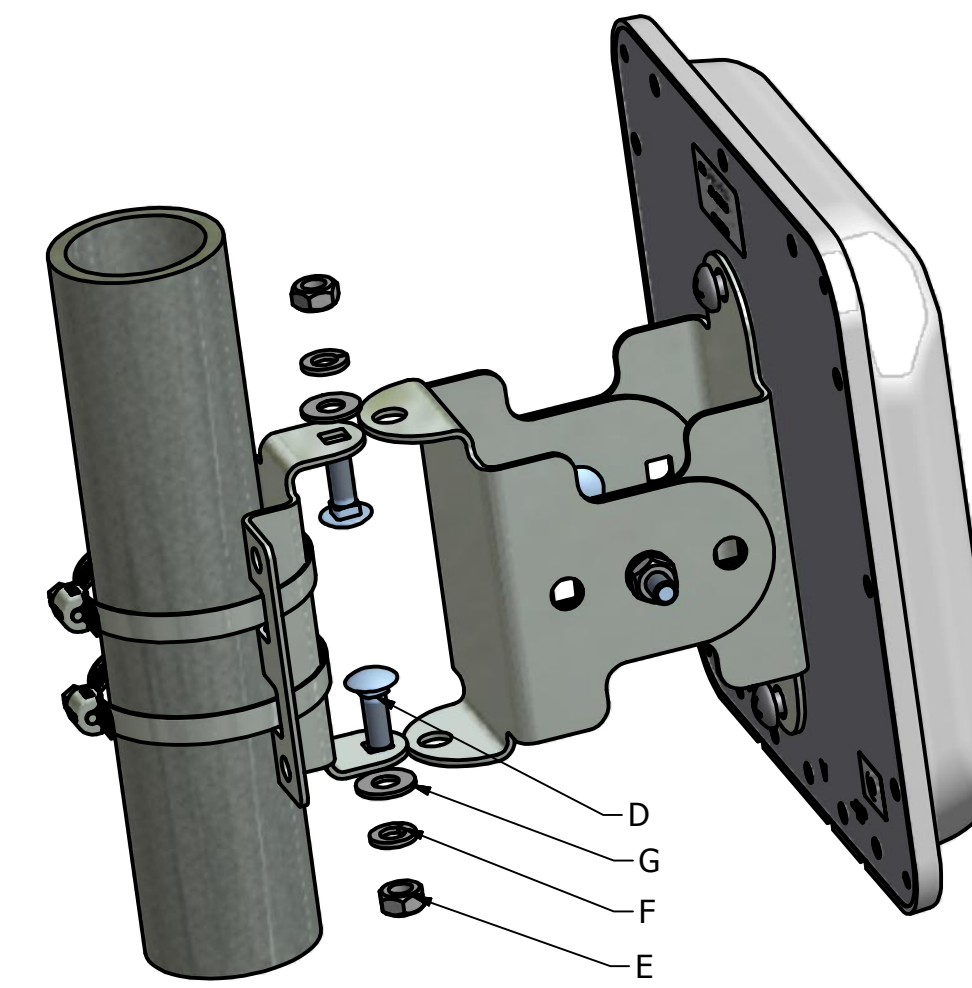
Step 4.

Attach azimuth adjustable bracket to pipe routing band clamps as shown. Maximum tightening torque(5.8 N-m).



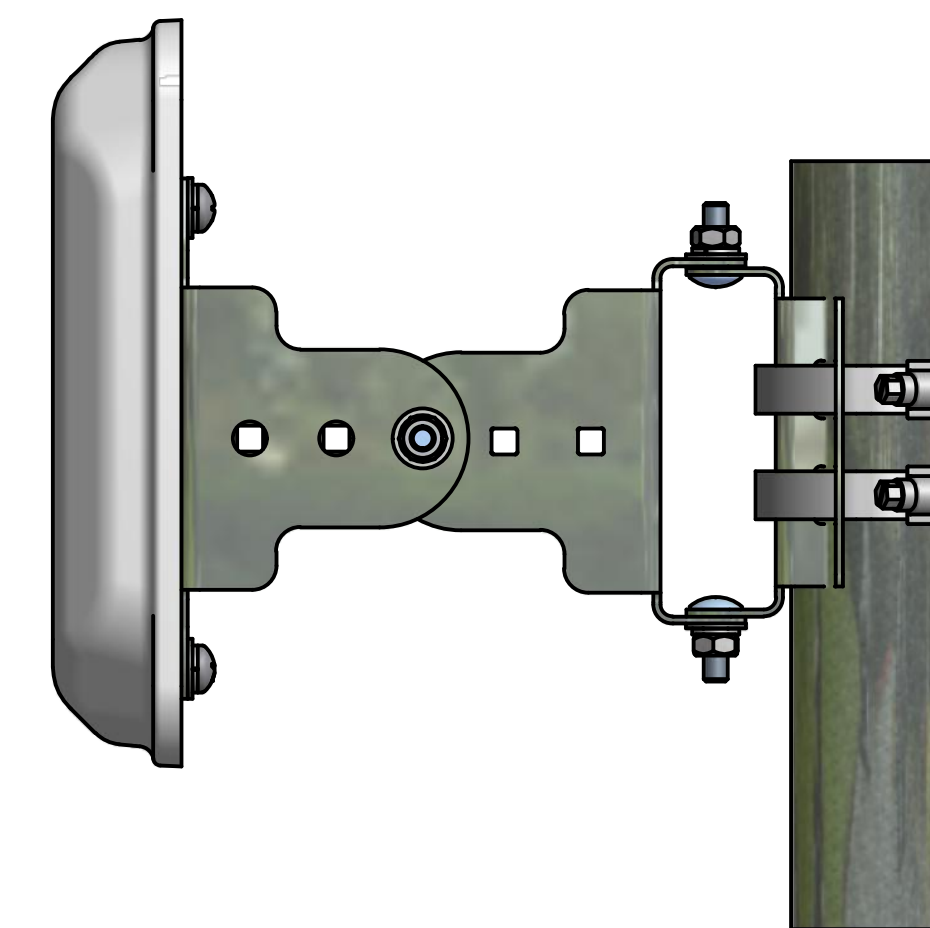
Step 5.

Attach antenna assembly to azimuth bracket on pipe.



Step 6.

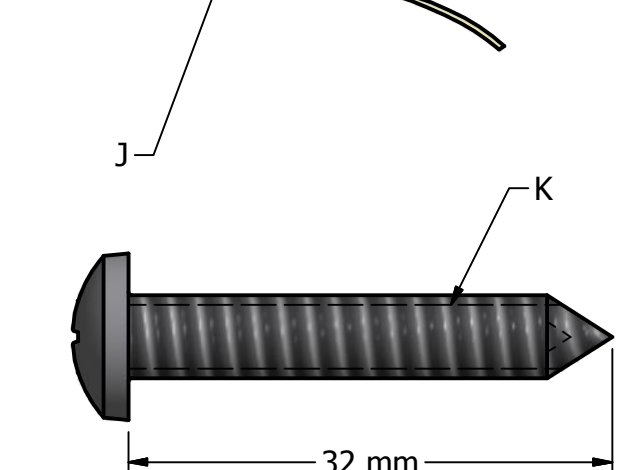
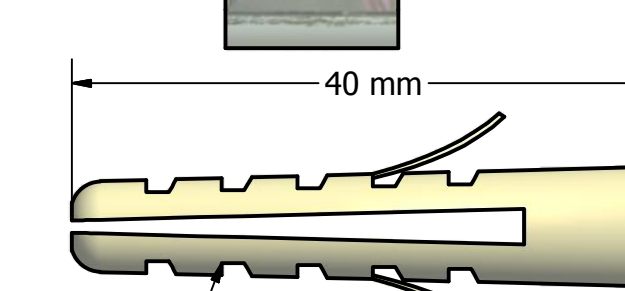
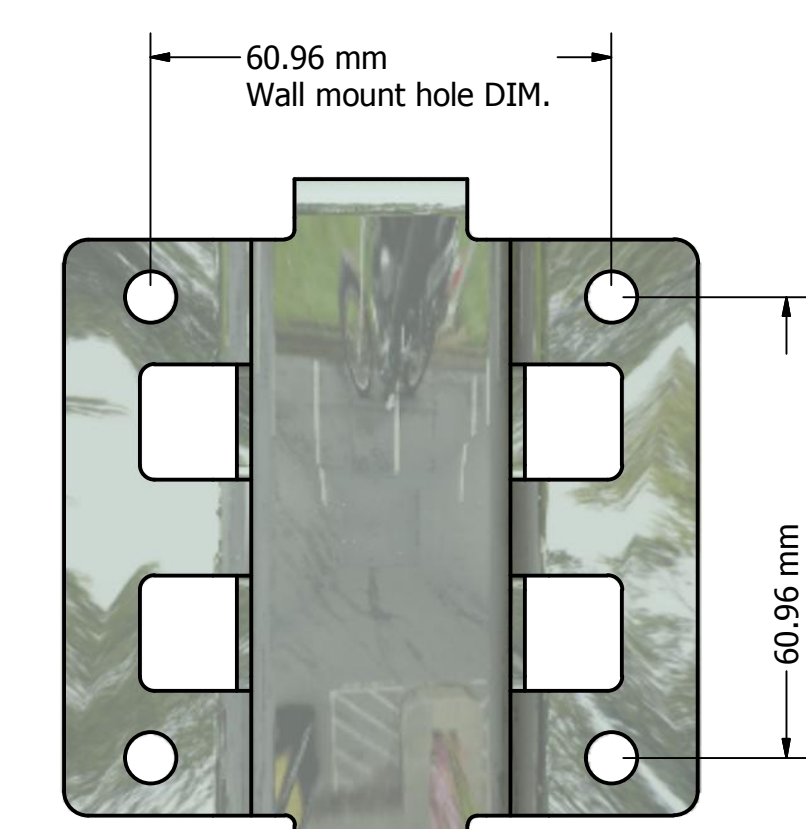
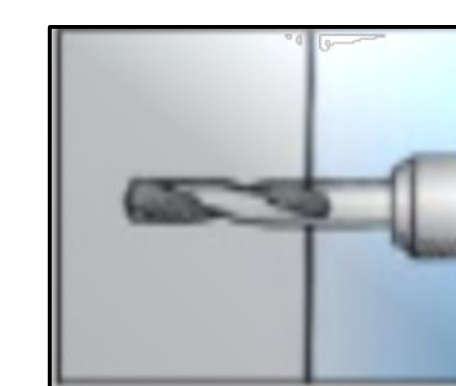
Adjust to the desired azimuth and elevation angles and tighten all pivot hardware. (4 places)



For Wall Mounting Option:

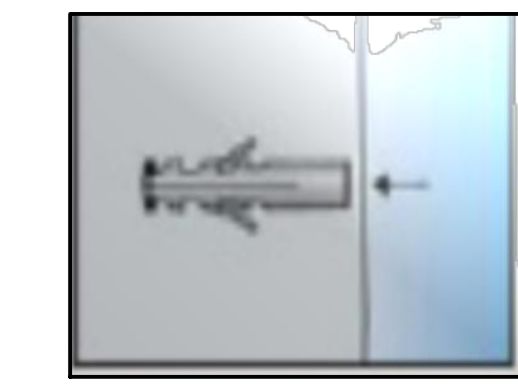
Step 7.

DRILL IN THE WALL 4 HOLES Ø8x 42 mm(Hole depth) FOR PLASTIC WALL INSERTS PLUG ITEM (J) USING THE ELECTRONIC DRILL



Step 8.

PUNCH THE PLASTIC WALL INSERTS PLUG INTO HOLES IN THE WALL



Step 9.

TIGHTEN BRACKET TO PLASTIC WALL INSERTS PLUG WITH SCREW ITEM (K)

