

Installation Guide - Azimuth and Elevation Adjustable Mount AP-ANT-MNT-2 REV.0

Fig. 1

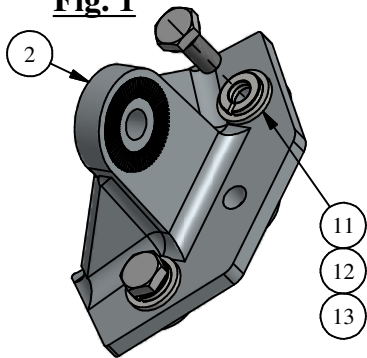


Fig. 2

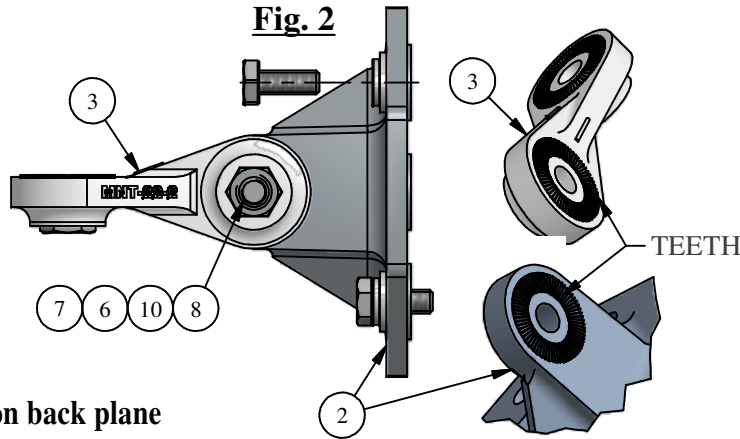
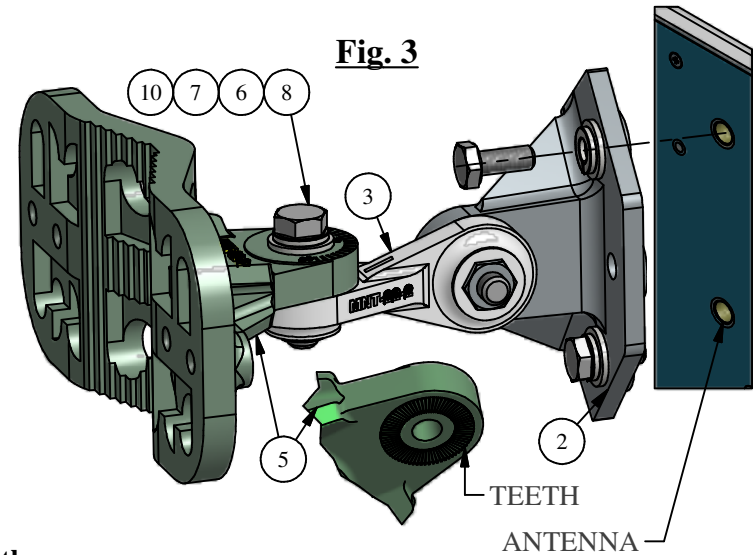


Fig. 3

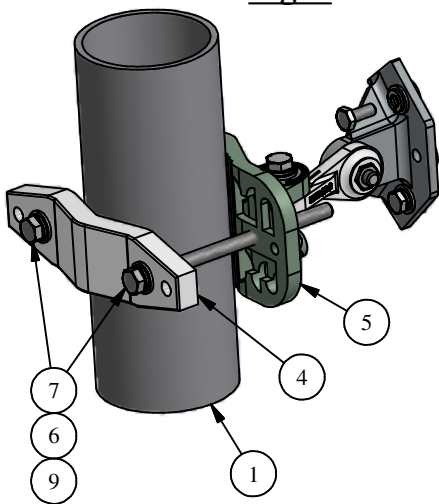


1. Align holes of item 2 with 2 holes on back plane of the antenna (see Fig. 3).
2. Connect item 2 to the antenna with spring washers (12), plain washers (11) and screws (13).
3. Tighten the screws at a torque of 30 Lbs x In.

4. Align item 3 with item 2 so teeth of item 2 face teeth of item 3. Connect with items 6, 7, 8, 10. Leave screw slightly loose.

5. Align item 5 with item 3 so teeth of item 5 face teeth of item 3. Connect with items 6, 7, 8, 10. Leave screw slightly loose.

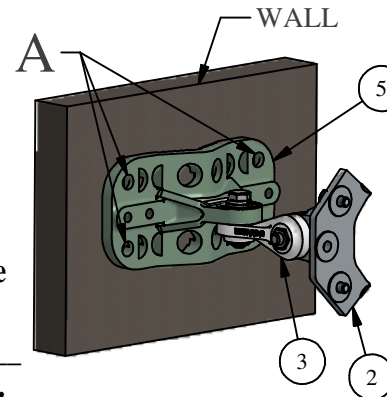
Fig. 4



6. Attach items 4, 5 to the pole as illustrated, and connect them using items 6, 7, 9.
7. Close screws (9) one and another in turn up to tightening torque of each screw is 30...35 Lbs x In.
8. Distance between ends of items 4, 5 on one and another side must be equal. **NO SKEWNESS ALLOWED.**
9. Adjust the desired angle, and fully tighten the loose screws (paragraph 4, 5) at a torque of 30 Lbs x In.

Fig. 5

Wall Mounting



10. Make assemblies as illustrated in Fig. 1, 2.
11. Attach item 5 to the wall. Fasten it with Drywall Anchors, Washers & Screws (items 14, 15, 16) using holes 'A'. (Screws not shown.)
12. Align item 3 with item 5 so teeth of item 3 face teeth of item 5. Connect as illustrated in Fig. 3.
13. Adjust the desired angle, and fully tighten the loose screws (paragraph 4, 5) at a torque of 30 Lbs x In.

NOTE :

1. MOUNT SUITABLE FOR POLES \varnothing 1"-4".

List of box content

ITEM	QTY	DESCRIPTION
1	1	POLE 1"-4" (NOT SUPPLIED)
2	1	MNT-23-1
3	1	MNT-22-2
4	1	MNT-22-4
5	1	MNT-22-3
6	4	Helical Spring Lock Washer St. St.304 #5/16
7	4	Plain Washer St. St.304 #5/16
8	2	Hex Cap Screw St. St.304 NC 5/16-18 x 1.25"
9	2	Hex Cap Screw St. St. NC 5/16-18 x 5"
10	2	Hex Nut St. St.304 NC 5/16-18
11	2	Plain Washer St. St.304 #1/4
12	2	Helical Spring Lock Washer St.St.304 #1/4
13	2	Hex Cap Screw 1/4-20 UNC x 5/8"
14	4	Drywall Anchor
15	4	Phillips Pan Head Screw dia.3.5 x 1.25"
16	4	Flat Washer #10
17	1	Installation Guide AP-ANT-MNT-2
18	1	Drilling Layout for Wall Installation